

OPERATING INSTRUCTIONS

FLOWMETER  
MEDAP-FINA FLOW  
MEDAP-FINA DFLOW

MEDAP 



**Subject to technical modification!**

Illustrations and technical specifications may vary slightly from those in these Operating Instructions as a result of ongoing product development.

V17 2018-02





## Table of contents

|          |  |           |
|----------|--|-----------|
| <b>1</b> | <b>Introduction .....</b>                                  | <b>5</b>  |
| 1.1      | Foreword .....   | 5         |
| 1.2      | How to use these operating instructions .....              | 5         |
| 1.2.1    | Abbreviations .....  | 5         |
| 1.2.2    | Symbols .....  | 5         |
| 1.2.2.1  | Cross-references .....                                     | 5         |
| 1.2.2.2  | Actions and responses .....                                | 5         |
| 1.2.3    | Definitions .....  | 6         |
| 1.2.3.1  | Design of safety notes .....                               | 6         |
| 1.2.3.2  | Structure of notes .....                                   | 6         |
| 1.2.4    | Symbols used .....   | 6         |
| 1.3      | Disposal.....  | 8         |
| 1.3.1    | Packing .....  | 8         |
| 1.3.2    | ATMOS products.....  | 8         |
| 1.4      | Overview of FINA FLOW flowmeter .....                      | 9         |
| 1.5      | Basic requirements.....                                    | 10        |
| 1.5.1    | Use in accordance with the intended purpose .....          | 10        |
| 1.5.2    | Applicable standards / directives .....                    | 10        |
| 1.5.3    | Intended purpose .....                                     | 10        |
| 1.5.4    | Versions of FINA FLOW / DFLOW flowmeter .....              | 11        |
| 1.5.5    | Possible applications .....                                | 12        |
| 1.5.6    | Interface description.....                                 | 12        |
| 1.5.6.1  | Approved interface for compressed gas supply .....         | 12        |
| 1.5.6.2  | Flowmeter outlet.....                                      | 12        |
| 1.5.6.3  | Connection tube .....                                      | 12        |
| 1.5.6.4  | Tube adapter for Air and O2 .....                          | 13        |
| <b>2</b> | <b>Safety notes .....</b>                                  | <b>14</b> |
| 2.1      | General safety notes .....                                 | 14        |
| 2.2      | Product safety notes.....                                  | 14        |
| <b>3</b> | <b>Initial operation.....</b>                              | <b>16</b> |
| 3.1      | Product testing .....                                      | 16        |
| 3.2      | Connection to the terminal unit.....                       | 16        |
| 3.2.1    | General .....  | 16        |
| 3.2.2    | Version A.....   | 17        |
| 3.2.3    | Version B.....   | 17        |
| 3.3      | Mounting accessories.....                                  | 17        |
| 3.3.1    | General .....  | 17        |
| 3.3.2    | Connection of MEDAP bubble humidifier (REF 5750 7525)..... | 18        |



- 3.3.3 Connection of bubble humidifier (REF 5752 5315)..... 18
- 3.3.4 Connection of disposable humidifiers from other manufacturers..... 18
- 4 Operation ..... 19**
- 4.1 Functional test..... 19
- 4.2 Setting the flow for treatment ..... 19
- 5 Taking the unit out of operation..... 21**
- 6 Cleaning and disinfection..... 22**
- 6.1 General..... 22
- 6.2 Cleaning ..... 23
  - 6.2.1 General ..... 23
  - 6.2.2 Cleaning procedure..... 23
- 6.3 Disinfection..... 24
  - 6.3.1 General ..... 24
  - 6.3.2 Suitable disinfectants ..... 24
  - 6.3.3 Disinfection procedure ..... 25
- 6.4 Special safety notes ..... 25
- 7 Maintenance..... 26**
- 7.1 General..... 26
- 7.2 Period tests ..... 26
- 7.3 Malfunctions and troubleshooting..... 26
- 7.4 Repairs ..... 27
- 7.5 Service hotline:..... 27
- 7.6 Type plate position ..... 27
- 7.7 Sending in the device ..... 27
- 8 Technical specifications ..... 29**
- 8.1 General..... 29
- 8.2 Ambient conditions ..... 29
- 8.3 FINA FLOW O 15 / A 15 ..... 29
- 8.4 FINA DFLOW O 15..... 29
- 9 Approved accessories ..... 30**
- 9.1 Accessories ..... 30
- 9.2 Scope of delivery ..... 30

# 1 Introduction

## 1.1 Foreword

Your facility has selected the leading-edge medical technology made by ATMOS. We sincerely appreciate the trust you have placed in us.

## 1.2 How to use these operating instructions

These operating instructions are provided to familiarise you with the features of this ATMOS product. They are subdivided into several chapters.

### Please note:

- Please read these operating instructions carefully and completely before using the product for the first time.
- Always proceed in accordance with the information contained herein.
- Store these operating instructions in a location near the product.

### 1.2.1 Abbreviations

|     |   |
|-----|---|
| EEC | European Economic Community   |
| VDE | Verband der Elektrotechnik Elektronik Informationstechnik (Association for Electrical, Electronic & Information Technology) |

### 1.2.2 Symbols

#### 1.2.2.1 Cross-references

References to other pages in these operating instructions are identified with a double arrow symbol „»»“.

#### 1.2.2.2 Actions and responses

The „☒“ symbol identifies an action taken by the user while the „✓“ symbol identifies the reaction that this will induce in the system.

#### Example:

- ☒ Turn on the light switch.
  - ✓ Lamp lights up.

1.2.3 Definitions

1.2.3.1 Design of safety notes

| Pictogram | Descriptor   | Text   |
|-----------|--|--|
|           | <b>DANGER!</b><br>Indicates a direct and immediate risk to persons, which may be fatal or result in most serious injury.         | The text for the safety note describes the type of risk and how to avert it. |
|           | <b>WARNING!</b><br>Indicates a potential risk to persons or property which may result in health hazard or grave property damage. |  |
|           | <b>CAUTION!</b><br>Indicates a potential risk to property which may result in property damage.                                   |  |

Tab. 1: Design of safety notes

1.2.3.2 Structure of notes

Notes not referring to personal injury or property damage are structured as follows:











| Pictogram | Descriptor         | Reference to  |
|-----------|--------------------|---|
|           | <b>NOTE</b>        | Supplementary assistance or further useful information without potential injury to persons or property damage is described in the text of the note. |
|           | <b>ENVIRONMENT</b> | Information regarding proper disposal.  |

Tab. 2: Structure of notes

1.2.4 Symbols used

Symbols are attached to products, type plates and packaging.

| Symbols | Identification   |
|---------|--|
|         | Labelling for products which were developed and are marketed in compliance with the 93/42/EEC Medical Products Directive. Class Is, Im, IIa, IIb and III products are also marked with the identifying number for the notified body. |
|         | Labelling in compliance with the ISO 15223-1 standard.<br>Symbol for "Product number".   |
|         | Labelling in compliance with the ISO 15223-1 standard.<br>Symbol for "Serial number".  |

| Symbols   | Identification  |
|---|---|
|    | Labelling in compliance with the ISO 15223-1 standard.<br>Symbol for "Name and address of the manufacturer as well as date of manufacture". |
|    | Labelling in compliance with the ISO 15223-1 standard.<br>Symbol for "Date of manufacture".   |
|    | Labelling in compliance with the ISO 15223-1 standard.<br>Symbol for "Follow Operating Instructions".                                       |
| >PA<  | Material designation for the plastic PA (polyamide).  |
|    | Packaging label.<br>Symbol for "Keep dry".  |
|   | Packaging label.<br>Symbol for "Fragile! Handle with care".   |
|  | Packaging label.<br>Symbol for "Top".   |
|  | Labelling in compliance with the ISO 15223-1 standard.<br>Symbol for "Temperature limitations".   |
|  | Labelling in compliance with the ISO 15223-1 standard.<br>Symbol for "Relative humidity".   |
|  | Labelling in compliance with the ISO 15223-1 standard.<br>Symbol for "Atmospheric pressure".  |
|  | Meaning of type plate.<br>Symbol for "oil- and fat-free".   |

Tab. 3: Symbols

**1.3 Disposal**

---



**WARNING!**

Infection hazard!

The product or some of its components may be contaminated after use.

Clean and disinfect the product before disposal.

---

**1.3.1 Packing**

The packing is made of materials compatible with the environment. ATMOS will dispose of the packing materials upon request.

**1.3.2 ATMOS products**

ATMOS will take back used products or those which are no longer in service.

Please contact your ATMOS representative for more detailed information.



1.4 Overview of FINA FLOW flowmeter

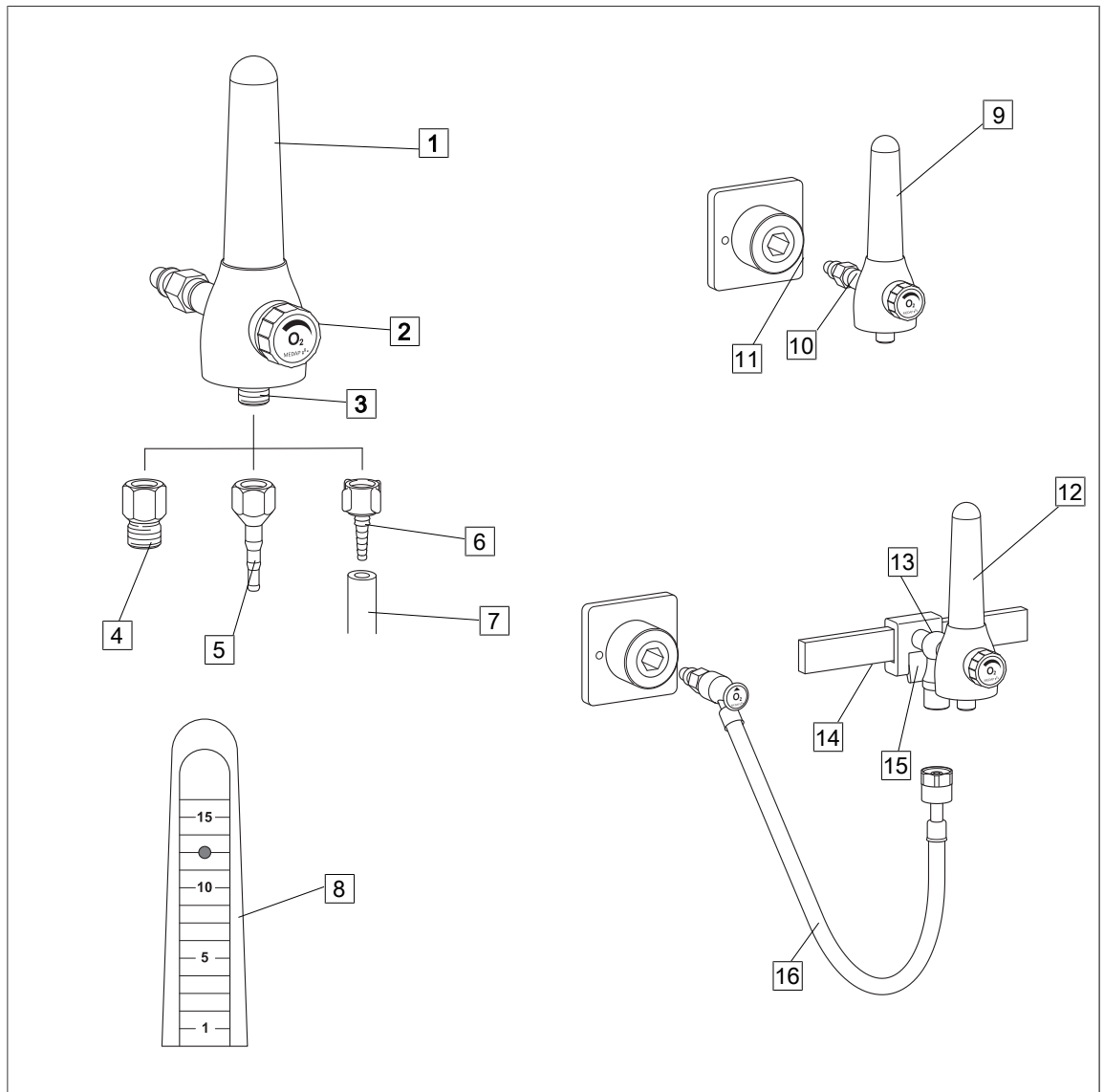


Fig. 1: Overview of FINA FLOW flowmeter

- 1 Flowmeter viewing tube
- 2 Regulating valve
- 3 Flowmeter outlet (UNF 9/16")
- 4 Adapter for humidifier (UNF 9/16" - G 3/8")
- 5 Tube adapter 4 mm, 6 mm, 8 mm (UNF 9/16")
- 6 Tube adapter, plastic, 4 mm, 6 mm, 8 mm (UNF 9/16")
- 7 Connection tube
- 8 Measuring scale

- 9 **Version A**  
Tapping unit with integrated gas pin
- 10 Plug
- 11 Terminal unit
- 12 **Version B**  
Tapping unit with rail clamp and NIST connection
- 13 Rail clamp
- 14 Equipment rail
- 15 Locking lever
- 16 Connection tube

**1.5 Basic requirements**

**1.5.1 Use in accordance with the intended purpose**

**Product**

As per appendix IX of the Medical Products Directive 93/42/EU this product belongs to class IIa.

In accordance with this directive the product may only be used by persons who have been instructed how to use this product by an authorised person.

This product is to be used exclusively for human medicine.

When employed in a commercial or business use, this product shall be entered in the inventory.

**Accessories**

Accessories or combinations of accessories may be utilised only as and when indicated in these operating instructions.

Other accessories, combinations of accessories and consumable items may be used only if they have a valid certification, are intended expressly for the particular use and will not adversely affect performance, the prescribed ambient conditions or safety requirements.

**1.5.2 Applicable standards / directives**

The product satisfies the basic requirements set forth in Annex I to the 93/42/EU Directive drafted by the Medical Products Council (Medical Products Directive) as well as the applicable national (German) codes and the Medical Products Act in Germany. This has also been demonstrated through the application of the corresponding standards, which have been harmonised with the 93/42/EEC Directive.

**1.5.3 Intended purpose**

|                                     |   |
|-------------------------------------|---|
| Name:                               | FINA FLOW<br>FINA DFLOW   |
| Main function:                      | Designed for measuring the flow and determining the precise dosage for the supply of oxygen and compressed air. In conjunction with a hand-held nebuliser the FINA FLOW is used to provide metered administration of medication aerosols.   |
| Medical indications / application:  | Inhalation and insufflation of oxygen within the scope of oxygen enrichment via an inhalation mask or a nose latch for patients breathing by themselves<br>Together with a hand-held nebuliser administration of water soluble drugs via an inhalation mask   |
| Specification of the main function: | Supply of oxygen or compressed air. For oxygen / compressed air supply, FINA FLOW is connected to a terminal unit oxygen / compressed air of a central medical gas supply system with a pressure of 500 kPa +/-10 %. For humidification of the oxygen from the central gas supply system a humidifier may additionally be connected. Supply of oxygen to the patient takes place via connection tubes and an inhalation mask or a nose latch. The administration of medication aerosols via compressed air takes place via connection tubes to a hand-held nebuliser. The patient presses the inhalation mask of the hand-held nebuliser onto mouth and nose. |
| User profile:                       | Doctor, medically trained staff   |

|                                    |   |
|------------------------------------|---|
| Patient groups:                    | Patients of all ages  |
| Application organ:                 | Lung  |
| Application time:                  | For continuous operation; in practice short-term use on the patient (< 30 days)   |
| Application site:                  | The application site is the clinical environment and doctor's practices which have a central oxygen / compressed air system. The application of the product may only be performed by medically trained and introduced staff.  |
| Contraindications:                 | The FINA FLOW may not be used for the following purposes: <ul style="list-style-type: none"> <li>• Outside the medical sector</li> <li>• In MR areas</li> <li>• In the home care sector</li> <li>• Being operated directly by the patient</li> <li>• For exclusive respiration</li> <li>• With central gas supply systems with other supply pressures than 500 kPa +/-10 %</li> <li>• When applying oxygen in its function as a medication, it is absolutely necessary to measure the flow rate.</li> </ul> |
| The product is:                    | Not active  |
| Sterility:                         | No sterile product  |
| Single-use product / reprocessing: | The device and parts of the accessories are reusable. For information on reprocessing, cleaning and disinfection please see the operating instructions.   |

**1.5.4 Versions of FINA FLOW / DFLOW flowmeter**

The connection of the tapping unit to oxygen or compressed air depends on the model being used:

**Version A: Tapping unit with integrated gas pin**

- FINA FLOW is fitted directly to the terminal unit.

**Version B: Tapping unit with rail clamp and NIST connection**

- The FINA FLOW is designed for mounting to an equipment rail 25 x 10 mm and is supplied via a NIST connection with oxygen or compressed air from a terminal unit connected using a connection tube with probe.

Products and accessories are only permitted with the ISO colour coding. In Germany, Austria and Switzerland, products with neutral colour coding are also permitted.



**NOTE**

The products are supplied with ISO coding. The scope of delivery includes a label for neutral colour coding.

The product is available in the following versions:

- FINA FLOW O 15 Wall DIN (REF 5752 3681)
- FINA FLOW O 15 NIST connection, equipment rail (REF 5752 3682)
- FINA FLOW O 15 Wall MEDAP (REF 5752 3680)
- FINA DFLOW O 15 Wall MEDAP (REF 5752 3688)
- FINA DFLOW O 15 Wall DIN (REF 5752 3689)
- FINA DFLOW O 15 NIST connection, equipment rail (REF 5752 3690)
- FINA FLOW A 15 Wall MEDAP (REF 5752 3696)
- FINA FLOW A 15 Wall DIN (REF 5752 3697)
- FINA FLOW A 15 NIST connection, equipment rail (REF 5752 3698)

### 1.5.5 Possible applications

The following usage options are made possible by connecting products or accessories which are contained in the list of accessories or which satisfy the specifications of the interface description.

- A metal tube adapter (REF 5752 2746) or plastic (REF 5752 5316) can be used to connect suitable connection tubes with inner diameters of 4 mm, 6 mm and 8 mm to the flowmeter.
- With the bubble humidifier (REF 5752 5315) for humidifying oxygen. The bubble humidifier is intended for inhalation. The bubble humidifier is connected directly to the flowmeter.
- With the MEDAP bubble humidifier (REF 5750 7525) for humidifying oxygen. The bubble humidifier is intended for inhalation. The bubble humidifier is connected via the adapter for MEDAP humidifier and oxygen connection tube (REF 5752 2745).
- Sterile water systems / disposable humidifiers with one output UNF 9/16" may be connected directly.

### 1.5.6 Interface description

All devices and accessories which are combined with the tapping unit must be listed in the accessories list or meet the specifications of the interface description. The configuration of the overall system as well as the functional testing are subject to the overall responsibility of the medical staff. Functionality and suitability of the connected accessory for each intended application must be checked by the operator before every use. This includes the functionality of the connector components, its air tightness and suitability regarding material properties, working pressure and flow rate.

#### 1.5.6.1 Approved interface for compressed gas supply

In order to supply compressed gas, the tapping unit is connected to the medical gas supply system (CGSS) with a pressure of 500 kPa  $\pm$ 10 %.

The pressure in the supply line must be indicated and in the event of improper functioning must be limited to 1000 kPa by an integrated pressure-relief valve.

#### 1.5.6.2 Flowmeter outlet

The internal thread on the accessory must match the external thread on the flowmeter (UNF 9/16" 18 gear). Ensure that the connection between the flowmeter and the accessory is leak-free.

#### 1.5.6.3 Connection tube

The connection tube with the inner diameter of 4, 6 or 8 mm is connected with the tube adapter.

The connection tube may not collapse or must be pressure-resistant and must comply with the hygiene standard of the hospital. The inside diameter of the connection tube must match the outside diameter of the tube adapter.

**1.5.6.4 Tube adapter for Air and O2**

The tube adapter is used to connect the tapping unit and the connection tube. The inner thread of the tube adapter must match the outer thread of the tube connector of the flowmeter output (UNF 9/16").

## 2 Safety notes

### 2.1 General safety notes

**DANGER!**

Incorrect use can result in fatalities!

Instructions for using components made by other manufacturers are not part of these operating instructions.

Ensure that the manufacturer's instructions are followed.

**DANGER!**

Observe hygiene guidelines!

Contaminated components may be hazardous to the patient's health.

Prepare the product according to the hygiene guidelines before using it for the first time. Clean and disinfect the product.

**DANGER!**

Fire/explosion hazard!

Air, oxygen and oxygen compounds react explosively with oils, greases and lubricants. Fire and explosion hazard due to compressed gases.

Always keep the product free of oils, greases and lubricants. Only use sliding means (lubricants) approved by ATMOS for this product.

**DANGER!**

Fire hazard!

Fire hazard as a result of escaping oxygen.

Never smoke near equipment which carries oxygen and avoid using open fires or glowing objects. Check tight fitting and firm seat of the connector when mounting accessories.

**DANGER!**

Defective product!

Using incorrect spare parts and accessories can cause injuries or equipment failure.

Only use original accessories or spare parts.

**WARNING!**

Risk of injury!

Hazard resulting from incorrect handling.

Follow the operating instructions for all accessories.

### 2.2 Product safety notes

**CAUTION!**

Malfunction!

Ensure that the connection between the product and the accessory is leak-free.

**CAUTION!**

Property damage!

Exposure to UV rays can cause material fatigue. The stability would no longer be ensured.

Do not expose the product to strong UV light.

---

**CAUTION!**

Observe ambient conditions!

The precision, operation, mechanical stability and tightness of the product cannot be guaranteed if the maximum upper and lower ambient temperatures are exceeded.

---

**WARNING!**

Impacts!

Impacts may cause damage to sensitive, precision mechanical components.

Do not expose the product to impacts.

---

**WARNING!**

Non-permissible load!

If the permissible load is exceeded, leakages may occur at the connection between terminal unit and probe.

In accordance with DIN EN ISO 9170-1, the overall weight of the product and accessories may not exceed 2 kg.

---

## 3 Initial operation

### 3.1 Product testing



**DANGER!**

Imprecise display in the event of deviations in system pressure!

If the system pressure of 500 kPa  $\pm$  10% is undercut or exceeded, it will no longer be possible to accurately display the measured values of the flowmeter.



**DANGER!**

Fluctuations in flow rate!

Flow accuracy may be influenced by the following factors:

- Fluctuations of the supply pressure (terminal unit)
- Fluctuations of the back pressure (accessories)
- Fluctuations of the ambient temperature



**DANGER!**

Product testing!

Only product parts which are in perfect condition can ensure proper functioning of the product. The product parts will thus have to be carefully inspected before mounting.



**WARNING!**

Measurement accuracy!

The product may only be operated in a vertical position.

- Pay special attention to the firm seat of the flowmeter viewing tube and to any possible cracks in the flowmeter viewing tube. Do not use the product if there are any signs of cracks.
- Check, whether the connection tubes are undamaged.
- Check whether the product has been properly cleaned and that there are no residues or soiling.
- Do not use damaged components.

### 3.2 Connection to the terminal unit

#### 3.2.1 General



**NOTE**

Please refer to the manufacturer's instructions for the particular terminal unit for information on connecting the gas probe to the terminal unit.



3.2.2 Version A

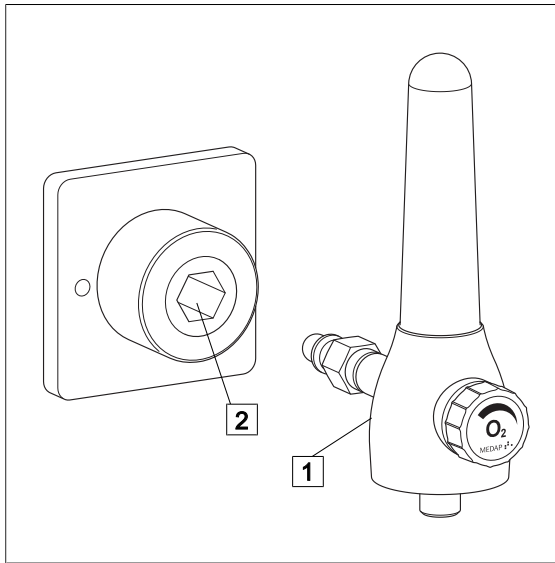


Fig. 2: Version A

**Tapping unit with integrated gas pin**

- ☒ The tapping unit (1) is plugged directly into the terminal unit (2).

3.2.3 Version B

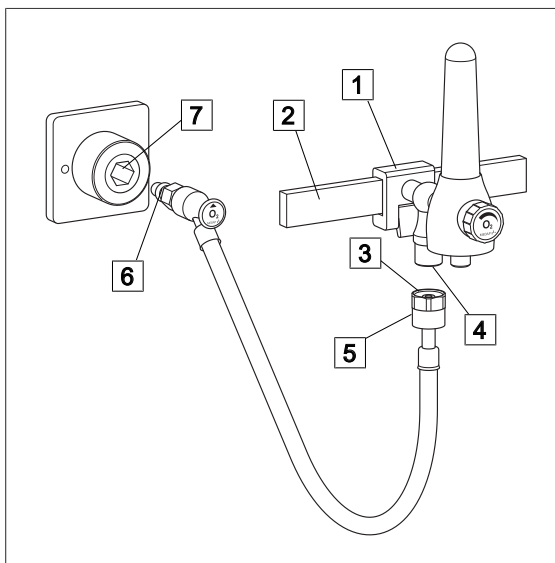


Fig. 3: Version B

**Tapping units with rail clamp and NIST connection**

- ☒ With the upper edge of the guide groove at the front, position the rail clamp (1) at a slight angle onto the equipment rail (2) and then press it against the equipment rail and allow it click into place.
- ☒ Make sure that the rail clamp is correctly secured and that the tapping unit is in a stable position on the equipment rail.
- ☒ Insert the NIST nipple (3) of the connection tube into the NIST connection (4) of the tapping unit and tighten down the NIST screw connection (5) by hand.
- ☒ Plug the gas probe (6) into the terminal unit (7).

3.3 Mounting accessories

3.3.1 General



**WARNING!**

Tensile forces!

The connected accessories must not exert any mechanical forces which could adversely affect the secure seating of the product.

**WARNING!**

Tensile forces!

Hold the basic unit with one hand when installing or removing accessories in order to compensate for the tensile forces which are created.

## 3.3.2

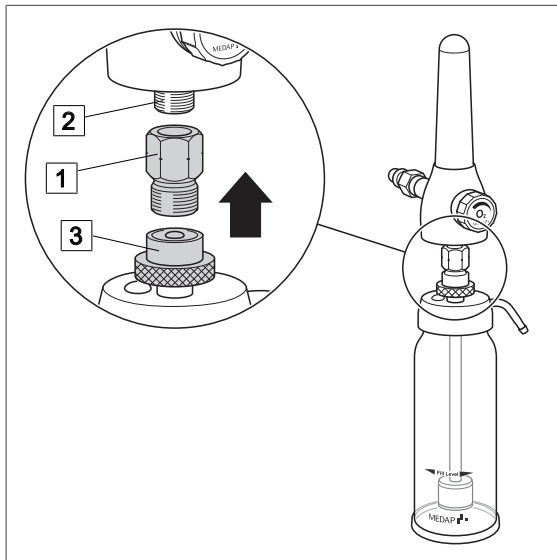
**Connection of MEDAP bubble humidifier (REF 5750 7525)**

Fig. 4: Connection of bubble humidifier

**Connecting the bubble humidifier**

- Ensure that the adapter contains a flat gasket.
- Ensure that the cap nut of the humidifier contains a flat seal.
- Fill the humidifier bottle up to the marking "Filling level" with distilled water and screw the bubble humidifier cap into place.
- Screw adapter (1) to the flowmeter output (2) and tighten finger-tight until stop.
- Screw cap nut (3) of the bubble humidifier to the adapter and tighten finger-tight until stop.
- Pay attention that no tensile forces affect the bubble humidifier.

## 3.3.3

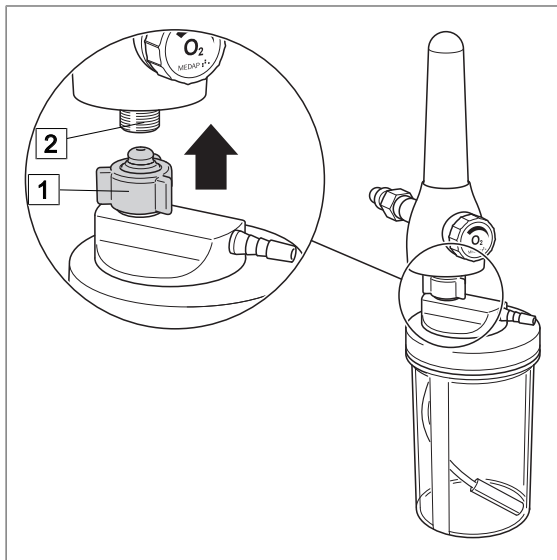
**Connection of bubble humidifier (REF 5752 5315)**

Fig. 5: Connection of bubble humidifier

**Connecting the bubble humidifier**

- Ensure that the tube connector of the bubble humidifier has two seals.
- Fill the humidifier bottle up to the marking "Filling level" with distilled water and screw the bubble humidifier cap into place.
- Screw the bubble humidifier cap (1) directly to the flowmeter output (2) and tighten fingertight until stop.
- Pay attention that no tensile forces affect the bubble humidifier.

## 3.3.4

**Connection of disposable humidifiers from other manufacturers**

Disposable humidifiers complying with the interface description may be connected to the flowmeter outlet.

- Screw the disposable humidifier directly to the flowmeter output (2) and tighten finger-tight until stop.

## 4 Operation

### 4.1 Functional test

**DANGER!**

Functional check!

The product is used in the treatment of patients. Any restriction in the unit's performance can result in serious complications in treatment.

Perform a complete functional check every time before using the unit.

Perform a complete functional check of the tapping unit prior to use. During functional testing, pay attention to the following conditions:

**Version A: Tapping unit with integrated gas pin**

- The tapping unit is correctly plugged into the terminal unit

**Version B: Tapping unit with rail clamp and NIST connection**

- The gas pin of the connection tube is seated correctly in the terminal unit.
- The NIST nipple of the connection tube is correctly secured in the NIST connection of the tapping unit.
- The NIST screw connection is tightly fastened.
- The tapping unit is locked firmly to the equipment rail.

**All versions:**

- The tube connectors are firmly seated and tightly sealed and no mechanical forces are acting on the tubes.
- The plastic and rubber components are in perfect condition and show no signs of ageing.
- The accessories are correctly connected.
- The product is leak-free.
- It is possible to variably adjust the flow rate from zero to the maximum flow.
- The product is in good hygienic condition.

### 4.2 Setting the flow for treatment

**DANGER!**

Over-pressure!

The product is under pressure whenever it is connected to the terminal unit, even if the valve is closed.

The flowmeter viewing tube may not be unscrewed when the product is connected.

**WARNING!**

Compressed gas setting!

The regulating mechanism is sensitive. Make the compressed gas settings very carefully!

**NOTE**

The rate of gas flow is displayed on the flowmeter viewing tube in the centre of the indicator ball.

**NOTE**

When applying oxygen in its function as a medication, it is absolutely necessary to measure the flow rate, as per the monograph in the European Pharmaceuticals Reference.

**NOTE**

The product only provides the patient with additional oxygen. The monitoring of the patient is the responsibility of the user.

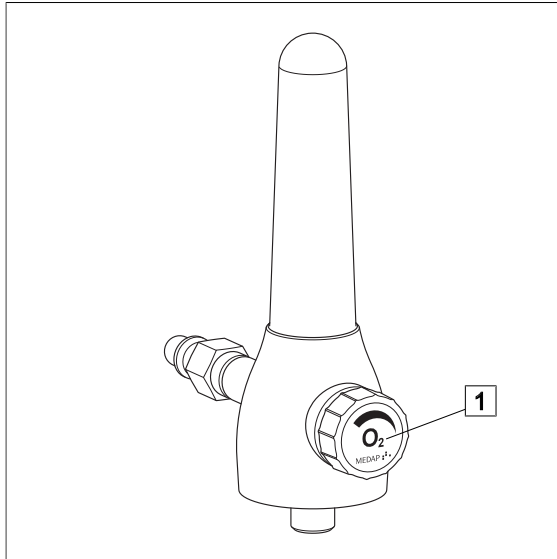


Fig. 6: Working with the tapping unit

**Setting the flow for treatment**

Open the regulating valve (1) by turning it anticlockwise. Use the control valve to set the gas flow rate to the required value for the treatment:

**Increase the gas flow rate**

Turn the control valve anti-clockwise.

**Reduce the gas flow rate**

Turn control valve clockwise.

## 5 Taking the unit out of operation

---

**WARNING!**

Disengage!

When the product is disengaged (removed) from the terminal unit the pressure energy may cause recoil.

Use the terminal unit in parking position or support when disengaging.

---

**NOTE**

To protect the product from damages, cover with cloths when storing.

---

**NOTE**

Refer to the medical gas distributor instructions for information regarding detaching the gas probe from the medical gas distributor.

---

**All versions:**

- After having completed the treatment, close the adjustment screw by turning it clockwise and check to ensure that it is closed.
- Disconnect the tapping unit / gas probe from the terminal unit.

**Version B: Tapping unit with rail clamp**

- Remove the unit from the equipment rail. For this purpose, open the handle screw and lift the unit off the equipment rail.

## 6 Cleaning and disinfection

### 6.1 General

The product must be wipe or spray disinfected after every use.



#### **DANGER!**

Risk due to incorrect use of detergents and disinfectants!

It is strictly advised to observe the manufacturer instructions regarding how to use the detergents and disinfectants as well as the valid hospital hygiene rules.



#### **DANGER!**

Infection hazard!

Product may be contaminated.

Always wear gloves for cleaning and disinfection.



#### **DANGER!**

Infection hazard!

Particles of grime may become encapsulated and lead to the product not reaching the desired germ-reduction after disinfection.

Before disinfection, the product must be cleaned thoroughly of contamination and encapsulated particles of grime.



#### **DANGER!**

Health hazard!

The product is also used to administer respiratory gas. Residues of sterilisation gases or other substances in the unit could endanger the patient's health.

Do not disassemble the product and do not clean it by gas sterilisation or any other mechanical cleaning or sterilisation method. Ensure that no disinfectant or cleaning agent enters the product.



#### **CAUTION!**

Improper cleaning and disinfection can cause property damage!

Do **not** use the following products for cleaning and disinfection:

- Products containing alcohol (e. g. hand disinfectants)
- Halogenides (e. g. fluorides, chlorides, bromides, iodides)
- Dehalogenating compounds (e. g. fluorine, chlorine, bromine, iodine)
- Products that may scratch the surface (e. g. scouring agents, wire brushes, wire wool)
- Standard commercial solvents (e. g. benzene, thinner)
- Water containing iron particles
- Cleaning sponges containing iron
- Products containing hydrochloric acid

Use a soft, lint free cloth or a soft nylon brush to clean the product.



#### **CAUTION!**

Improper cleaning and disinfection can cause property damage!

Use only as much detergent and disinfectant as required.

**CAUTION!**

Improper cleaning and disinfection can cause property damage!

Perform visual and functional inspections after each cleaning and disinfection process.

**6.2 Cleaning****6.2.1 General****NOTE**

In the event of product surfaces that are very dirty, carry out an additional cleaning procedure before disinfecting the product.

**NOTE**

Use only all-purpose cleaners which are slightly alkaline (soap solution) and which contain tensides or phosphates as active cleaning ingredients.

In the event of heavily contaminated surfaces, use concentrated multi-purpose detergent.

**CAUTION!**

Improper cleaning can cause property damage!

Residues of physiological saline solutions (e. g. sodium chloride) can attack the surfaces of the product.

Remove residues of physiological saline solutions with a cloth dipped in clean water. Then dry the product with a dry, lint free cloth.

**CAUTION!**

Improper cleaning can cause property damage!

Do not spray cleaning agent directly into the joints or gaps and never use a high-pressure cleaning unit!

**6.2.2 Cleaning procedure**

- Use the correct dose of multi-purpose detergent with water for the degree of surface contamination and in accordance with the instructions of the detergent manufacturer.
- Thoroughly wipe off the product with a soft cloth slightly wetted in a multi-purpose detergent solution.
- Ensure that the product is free of contamination and encapsulated particles of grime.
- Thoroughly wipe off the product with a soft cloth dipped in clean water.
- Ensure that the product is free of detergent residues.
- Dry product with a dry, absorbent and lint free cloth.
  - ✓ This will help to reduce pathogen growth on the product's surface.
- Wipe or spray disinfect the product after every cleaning.

6.3 Disinfection

6.3.1 General



**NOTE**

In the event of product surfaces that are very dirty, carry out an additional cleaning procedure before disinfecting.



**CAUTION!**

Material damage due to excessive exposure times!  
Exceeding the specified exposure time of the disinfectant may damage the surfaces.

Observe the specified exposure time of the disinfectant manufacturer.



**WARNING!**

Disinfectants for flowmeter viewing tube!

Only the following disinfectants are approved for the instrument disinfection of the flowmeter viewing tube:

- Indicin® Perfect\* (surface disinfectant);
- Sekusept® forte S \* (instrument disinfectant).

\* (Registered trademark of Ecolab GmbH & CO OHG)

6.3.2 Suitable disinfectants

Only surface disinfectants based on the following combinations of active ingredients may be used for disinfection:

- Aldehydes
- Quarternary compounds
- Guanidine derivatives

| Ingredient group      | Active ingredients   |
|-----------------------|--|
| Aldehydes             | 2-ethyl-1-hexanal, formaldehyde, glutardialdehyde, glyoxal, o-phthaldialdehyde, succinaldehyde   |
| Quarternary compounds | Alkyl-didecyl-polyoxethyl ammonium propionate, alkyl-dimethyl-alkylbenzyl ammonium chloride, alkyl-dimethyl-ethyl ammonium chloride, alkyl-dimethyl-ethylbenzyl ammonium chloride, benzalkonium propionate, benzalkonium chloride (alkyl-dimethyl-benzyl ammonium chloride, coco-dimethyl-benzyl ammonium chloride, lauryl-dimethylbenzyl ammonium chloride, myristyl-dimethyl-benzyl ammonium chloride), benzethonium chloride, benzyl-dihydroxyethyl-coco-alkyl ammonium chloride, dialkyl-dimethyl ammonium chloride (didecyldimethyl ammonium chloride), didecyl-methyl-oxyethyl ammonium propionate, mecetronium-ethyl sulfate, methyl-benzethonium chloride, n-octyl-dimethyl-benzyl ammonium chloride |
| Guanidine derivatives | Alkyl-biguanide, chlorhexidine-digluconate, cocospropylene-diamine guanidinium diacetate, oligomeric biguanide, polyhexamethylene biguanide hydrochloride (oligo-diimino imiodo-carbonyl imino-hexamethylene, polyhexanide)  |

Tab. 4: Active ingredients of disinfectants



**6.3.3 Disinfection procedure**

- After each cleaning process, wipe or spray disinfect the product in accordance with the instructions of the disinfectant manufacturer.
- Ensure that the product is free of disinfectant residue.
- Perform visual and functional inspections.

**6.4 Special safety notes**

---

**DANGER!**

Tension cracks!

Various components in the tapping unit are made of plastic materials. Solvents and some disinfectants and some cleaning agents can soften plastic or cause tension fissures. The gas pressure may cause the flowmeter viewing tube to burst.

Never use detergents that contain alcohol. Observe cleaning and disinfection standards.

---

**CAUTION!**

Property damage!

Using non-colour-fast drapes can cause discolouration of surfaces.

Only use colour-fast drapes.

---

## 7 Maintenance

### 7.1 General

Maintenance, repairs and period tests may only be carried out by persons who have the appropriate technical knowledge and are familiar with the product. To carry out these measures the person must have the necessary test devices and original spare parts.

ATMOS recommends: Work should be carried out by an authorized ATMOS service partner. This ensures that repairs and testing are carried out professionally, original spare parts are used and warranty claims remain unaffected.



**DANGER!**

Health hazard!

The product is used in the treatment of patients. The product or some of its components may be contaminated.

Clean and disinfect the product before maintenance and repair. Repair work may be performed by personnel authorized by ATMOS.

### 7.2 Period tests

Observe the country specific requirements regarding period tests.

### 7.3 Malfunctions and troubleshooting

| Defect   | Source of malfunction  | Troubleshooting  |
|--|--|--|
| Indicator ball does not rise even when the control valve is completely open        | Gas probe for gas supply is only locked in the parking position                  | Bring gas probe for gas supply into the operating position, i.e. push gas probe in completely                                    |
| 15 l/min are not reached with the control valve opened fully                       | The pressure from the central gas supply system is not high enough               | Check the pressure supplied by the central gas supply installation   |
|  | Sintered filter is clogged   | Have the sintered filter replaced  |
| Incorrect display of flowmeter   | Pressure fluctuations in the gas supply system / pressure is too low or too high | Contact the technical service  |
| Indicator ball does not rest on seat with the control valve in the closed position | Flowmeter viewing tube defective   | Have flowmeter viewing tube and indicator ball replaced. Attention, flowmeter viewing tube and indicator ball function as a pair |
|  | Control valve is no longer sealing   | Have flowmeter inspected   |
| Indicator ball is stuck  | Flowmeter viewing tube is contaminated   | Have flowmeter viewing tube cleaned. Attention, indicator ball and flowmeter viewing tube function as a pair                     |
| Gas probe does not fit into the terminal unit                                      | Wrong terminal unit selected   | Check the designation of the terminal unit   |

| Defect                                 | Source of malfunction          | Troubleshooting                              |
|--|--------------------------------|--|
| Full loss of pressure at the flowmeter | Seal is missing or defective   | Have flowmeter inspected                     |
|  | There is a leak in the housing |  |
|  | Accessories are not tightened  | Ensure that the accessory is properly seated |

Tab. 5: Malfunctions and troubleshooting

#### 7.4 Repairs

The following may require repairs from the manufacturer or an authorized service partner:

- Liquid has penetrated the device.
- The performance has significantly decreased.
- Inexplicable notifications appear.
- Abnormal noises occur.
- Functional faults cannot be rectified according to the measures in chapter Malfunctions and troubleshooting [▶▶ page 26].

If defects are detected the product may not be used any longer.

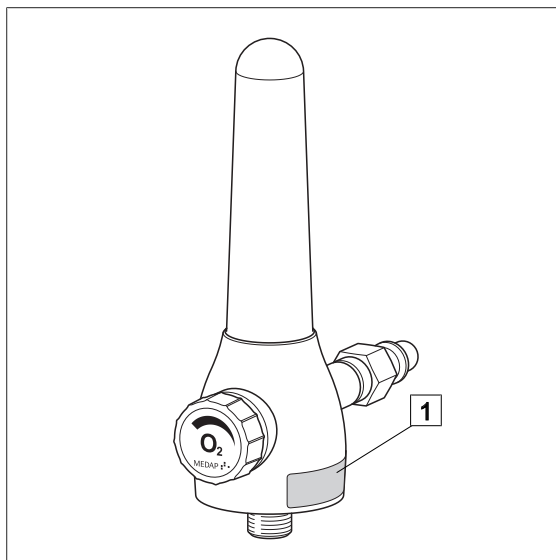
Make a note of the deficiencies and the REF number on the data plate and inform the responsible ATMOS Service.

Observe the information in chapter Sending in the device [▶▶ page 27].

#### 7.5 Service hotline:

+49 7653 689-0

#### 7.6 Type plate position



Position of the type plate (1) on the product.

Fig. 7: Type plate

#### 7.7 Sending in the device

- Remove and properly dispose of consumables.
- Clean and disinfect the product and accessories according to the operating instructions.

- Place used accessories with the product.
- Fill in the form QD 434 „Delivery complaint / return shipment“ and the respective **decontamination certificate**.

This form is enclosed with each delivery and can be found at [www.atmosmed.com](http://www.atmosmed.com).

- The device must be well padded and packed in suitable packaging.
- Place the form QD 434 „Delivery complaint / return shipment“ and the respective **decontamination certificate** in an envelope.
- Affix the envelope to the outside of the package.

Send the product to ATMOS or to your dealer.

## 8 Technical specifications

### 8.1 General

|  |           |
|--|-----------|
| Classification as per Appendix IX of the 93/42/EEC Directive | Class IIa |
|--|-----------|

### 8.2 Ambient conditions

|  |                     |
|--|---------------------|
| Temperature: Shipping / storage          | -15 °C to +50 °C    |
| Temperature: Operation                   | +15 °C to +40 °C    |
| Relative humidity: Shipping / storage    | 10 % to 95 %        |
| Relative humidity: Operation             | 30 % to 75 %        |
| Atmospheric pressure: Shipping / storage | 700 hPa to 1060 hPa |
| Atmospheric pressure: Operation          | 700 hPa to 1060 hPa |

### 8.3 FINA FLOW O 15 / A 15

|   |  |
|---|--|
| Measurement range                         | 1 - 15 l/min   |
| Input pressure                            | 500 kPa* $\pm$ 10%   |
| Input filter (only with DIN version)      | Sintered metal 80 $\mu$ m pore width   |
| Indication accuracy (freeflow at 500 kPa) | $\pm$ 10 % over 5 l/min flow indication $\pm$ 0.5 l/min to 5 l/min flow indication |
| Flow limitation                           | 20 l/min $\pm$ 5 l/min   |
| Weight                                    | Approximately 750 to 950 g (depending on attachment)                               |
| Dimensions (W x H x D)                    | approximately 50 x 70 x 140 mm   |

\* 100 kPa = 1 bar = 1000 mbar = 750 mmHg

### 8.4 FINA DFLOW O 15

|   |  |
|---|--|
| Measurement range                         | 1 - 15 l/min   |
| Input pressure                            | 500 kPa* $\pm$ 10%   |
| Input filter (only with DIN version)      | Sintered metal 80 $\mu$ m pore width   |
| Indication accuracy (freeflow at 500 kPa) | $\pm$ 10 % over 5 l/min flow indication $\pm$ 0.5 l/min to 5 l/min flow indication |
| Flow limitation                           | 20 l/min $\pm$ 5 l/min   |
| Weight                                    | Approximately 1600 to 1700 g (depending on attachment)                             |
| Dimensions (W x H x D)                    | approximately 165 x 170 x 120 mm   |

\* 100 kPa = 1 bar = 1000 mbar = 750 mmHg

## 9 Approved accessories

The following accessories are not part of the scope of delivery and must be ordered separately.

### 9.1 Accessories

|           |  |
|-----------|--|
| 5752 2745 | Adapter for MEDAP bubble humidifier    |
| 5752 2746 | Tube adapter, metal 4 mm, 6 mm, 8 mm   |
| 5752 5316 | Tube adapter, plastic 4 mm, 6 mm, 8 mm |
| 5750 7525 | MEDAP bubble humidifier                |
| 5752 5315 | Bubble humidifier                      |

Tab. 6: Accessories

### 9.2 Scope of delivery

|           |  |
|-----------|--|
| 5750 3774 | Neutral colour coding label (AIR variants) |
| 5750 3771 | Neutral colour coding label (O2 variants)  |

Tab. 7: Scope of delivery

## Notes



■ **Manufacturer:**

ATMOS  
MedizinTechnik GmbH & Co. KG  
Ludwig-Kegel-Str. 16  
79853 Lenzkirch  
GERMANY  
Phone: +49 7653 689-0  
[www.atmosmed.com](http://www.atmosmed.com)